

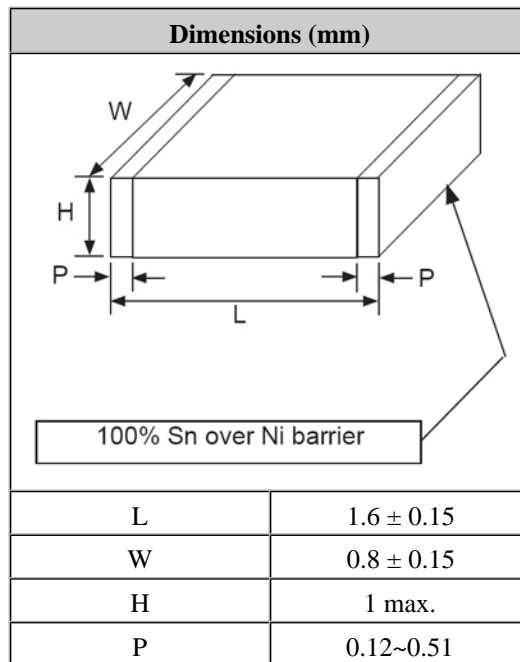


NIC Components Corp.

www.NICcomp.com | Technical Support: tpmg@niccomp.com

Individual Specification - NMC0603Y5V103Z50TRPF

Product Specifications	
Part Number	NMC0603Y5V103Z50TRPF
Product Series	NMC Y5V
Series Description	Y5V MLCC
Dielectric	Y5V
Dielectric Tolerance	+22%, -82%
Temperature Range	-30°C ~ 85°C
Capacitance	0.01µF ± +80/-20%
Voltage	50Vdc
IR	10 G? min.
Dissipation Factor	5%
Dielectric Withstanding Voltage	150% of Rated Voltage for 5 ±1 seconds, 50mA maximum current



Created 25/08/15 2:14:09 am

Copyright © 2013, NIC Components Corp. All Rights Reserved.

Reproduction in whole, or in part, without the written permission of the copyright holder is prohibited. All information contained within this page is believed to be accurate and reliable, and is presented without guarantee, warranty, or responsibility of any kind, expressed or implied. Please review product specifications and guidelines on NIC web site prior to ordering.

For additional information please contact NIC TPMG, tpmg@niccomp.com