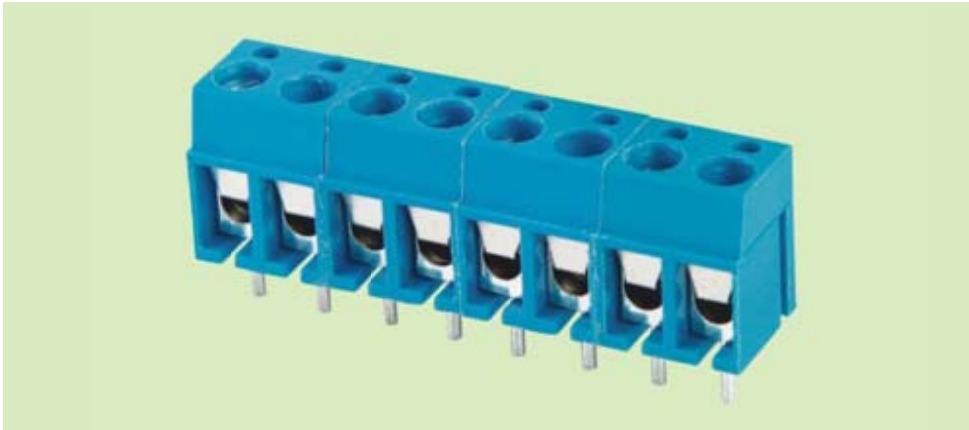


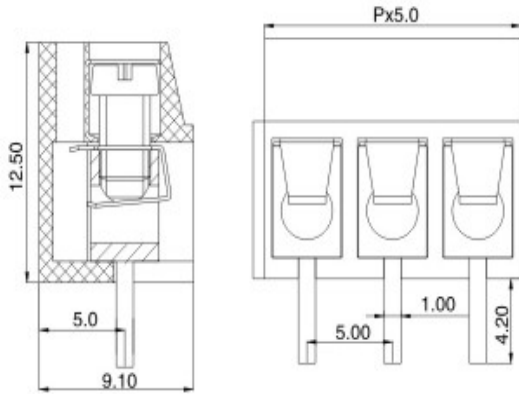
PCB Screw Terminal Block



- Product name: **KF300-5.0**

- [Details & Parameters](#)

Pitch : 5.0mm ; Poles : 2P、 3P ; Rated Voltage/Current : 300V/16A



材质及电镀

间距: 5.0mm
 极数: 2P、3P
 螺丝: M3、钢、镀锌
 簧片: 磷青铜、镀镍或不锈钢
 焊针: 黄铜、镀锡
 塑件: PBT,UL94V-0

电气性能

额定电压: 300V
 额定电流: 16A
 耐电压: AC2000V/1Min
 使用线径: 22-14 AWG

机械性能

温度范围: -30°C ~ $+120^{\circ}\text{C}$
 瞬时温度: $+250^{\circ}\text{C}$ 5秒
 扭矩: 0.4Nm (3.5lb.in)
 剥线长度: 4.5-5mm

MATERIAL

Pitch: 5.0mm
 Poles: 2P、3P
 Screws: M3、Steel、Zinc plated
 Wire guard: phosphor bronze、Ni plated
 or stainless steel
 Pin header: Brass、Tin plated
 Housing: PBT, UL94V - 0

ELECTRICAL

Rated voltage: 300V
 Rated current: 16A
 Withstanding voltage: AC2000V/1Min
 Wire range: 22-14 AWG

MECHANICAL

Temp range: -30°C ~ $+120^{\circ}\text{C}$
 MAX soldering: $+250^{\circ}\text{C}$ for 5 sec.
 Torque: 0.4 Nm (3.5 lb.in)
 Strip length: 4.5-5mm