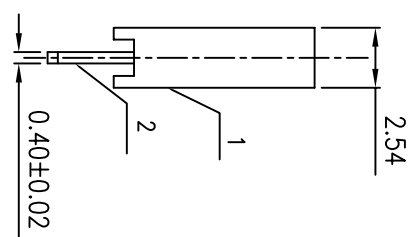
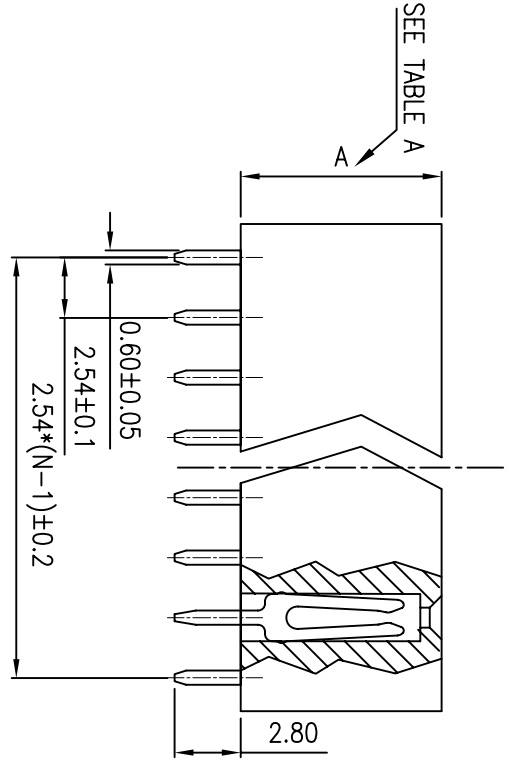
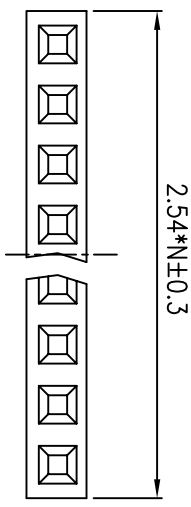


REV.	DESCRIPTION	DRAWN	CHECKED	APPROVED
A	NEW RELEASE	LJH 07/05/07'		

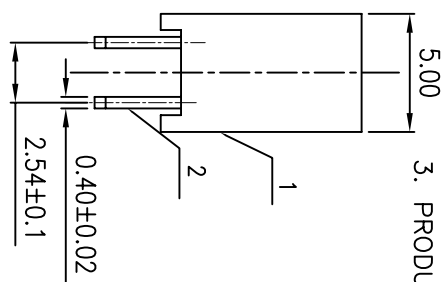
NOTES:

- ELECTRICAL CHARACTERISTICS:
 - CONTACT RESISTANCE: 20mΩ Max. INITIAL.
 - DIELECTRIC WITHSTANDING VOLTAGE: 500V AC(rms) FOR 1 MINUTE.
 - INSULATION RESISTANCE: 1000MΩ Min.
- ENVIRONMENT CHARACTERISTICS:
 - OPERATING TEMPERATURE: 0°C~+85°C.
 - STORAGE TEMPERATURE: -20°C~+70°C.
- PRODUCT NUMBER CODE:

KF1020- X X X X X



SINGLE ROW
N:NUMBER OF CONTACTS



DUAL ROWS
N:NUMBER OF CONTACTS/2

- X X X X X
- MOUNTING TYPE
- V:VERTICAL TYPE
- HOUSING COLOR
- B:BLACK G:GREEN
- CONTACT PLATING
- O:GOLD FLASH
- CONNECTOR TYPE
- P:PLUG S:SOCKET
- No.OF CONTACTS
- 1 ROW 1*2-1*40
- 2 ROWS 2*2-2*40

TABLE A

TYPE	Dimension
1	A
1	8.50
2	5.00

ITEM	PART NAME	PART NO.	MATERIALS
1	CONTACT		COPPER ALLOY
2	HOUSING		THERMOPLASTIC

GENERAL TOLERANCE	ANGLE TOLERANCE	DRAWING TYPE	CUSTOMER
X: ±0.20	X: ±2°	.XX ±0.10	1:1
X: ±0.15	X: ±1°		SHEET
.XX ±0.10	X: ±0.5°		1 OF 1

PROJECTION	TITLE
UNITS: mm	FEMALE HEADER PITCH 2.54MM V/T TYPE
SHEET SIZE: A4	SERIES: KF1020 SERIES

DF 慈溪市凯峰电子有限公司
KAIFENG ELECTRONIC CO.LTD

1 2 3 4 5 6 7 8

H G F E D C B A